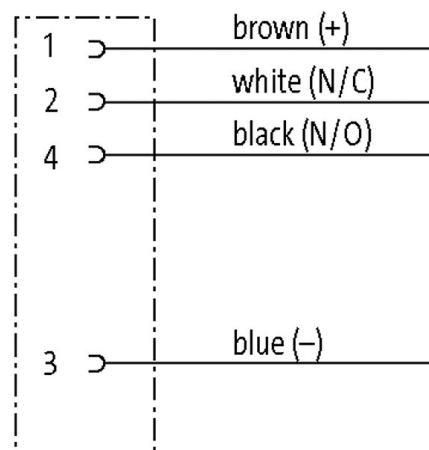
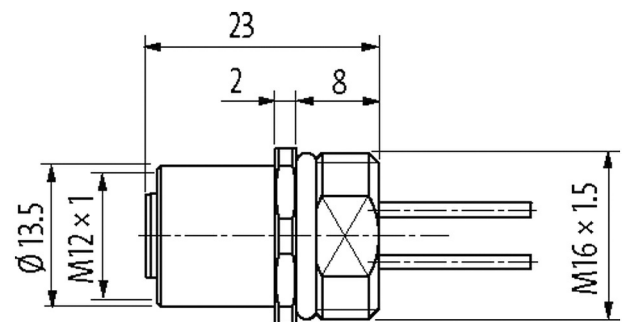
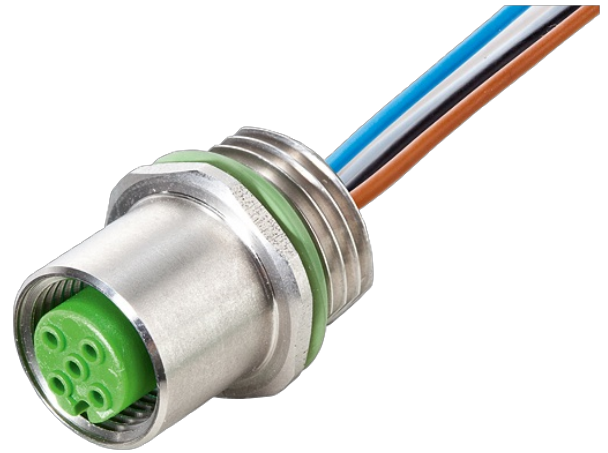


M12 female receptacle A-cod. front mount V2A

PP-wires 4X0.34 0.2m

Flange female
M12, 4-pole
Front mounting
with multi-strand wire
Stainless steel 1.4305 (V2A)

[Link to Product](#)**Illustration**

Product may differ from Image

Approvals



Form

Form 13541

General data

Standards	DIN EN 61076-2-101 (M12)
Mounting method	inserted, tightened
Material (contact)	Copper alloy
Material (contact surface)	Au
Material (gasket)	FKM
Pollution Degree	3
Temperature range	-25...+85 °C

Cables

Cable number	971
No./diameter of wires	4 x 0.34 mm ²
Wire isolation	PUR
Outer Ø	1.3 mm ±5%
Bend radius (fixed)	5 x outer Ø
Temperature range (fixed)	-40...+90 °C
Temperature range (mobile)	-25...+90 °C

Technical Data

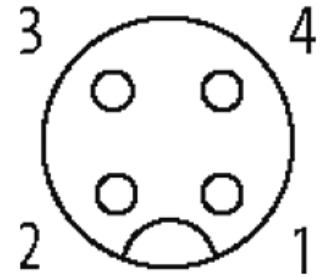
Operating voltage	max. 250 V AC/DC
Rated surge voltage	2.5 kV
Operating current per contact	max. 4 A
No. of poles	4
Material group	IEC 60664-1, category I
Coding	A-coded
LED display	no
Locking of ports	Screw thread (M12×1 mm) recommended torque 0.6 Nm, self-securing
Compression gland	M12 (SW14)
Protection	IP67 inserted and tightened (EN 60529)
Protection NEMA	3, 4, 6P (UL 50E)
Material	Stainless steel 1.4305 (V2A)
Locking material	Stainless steel 1.4305 (V2A)
suitable for corrugated tube (internal Ø)	without

Commercial data

country of origin	DE
customs tariff number	85444290
EAN	4048879332651
eClass	27279220
Packaging unit	1

Sketch

Female



Product may differ from Image